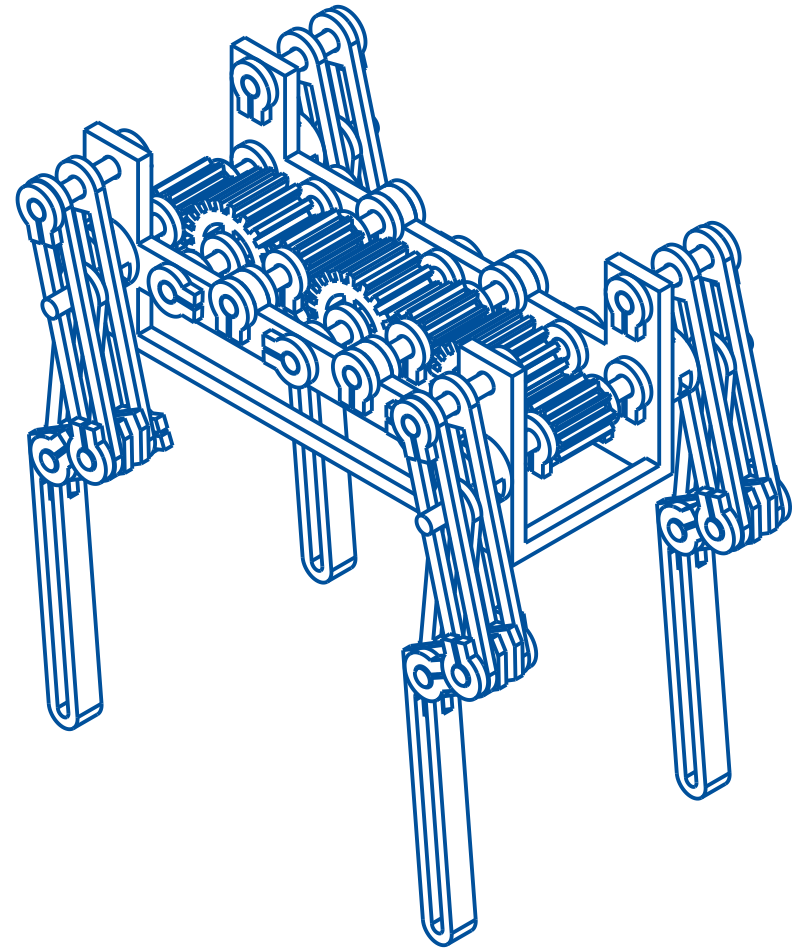
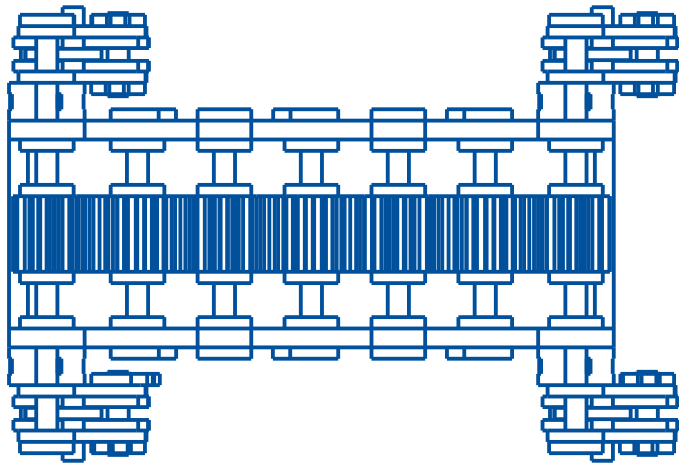


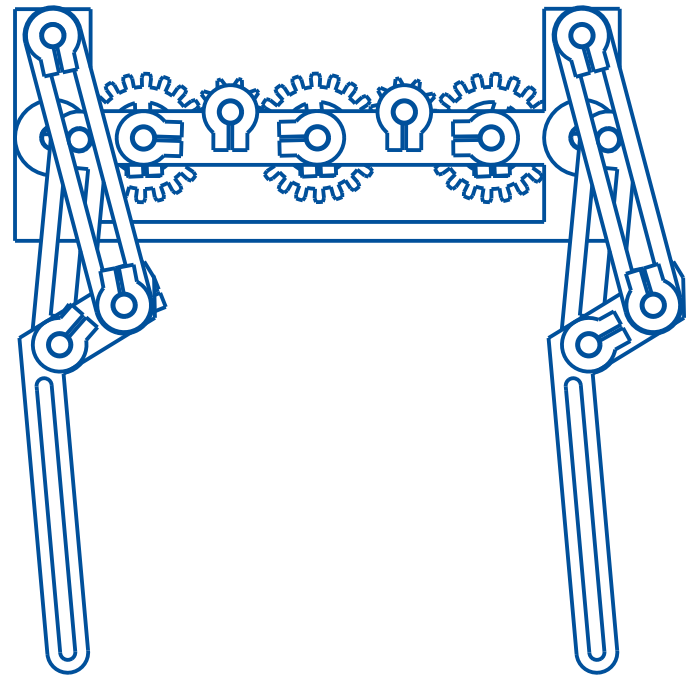
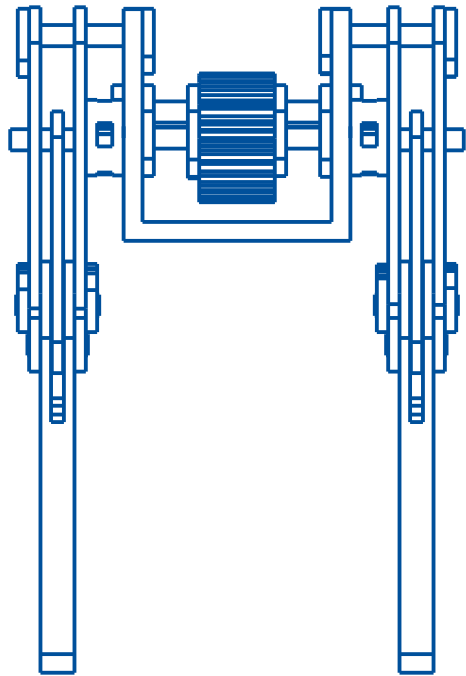
UNLESS OTHERWISE
SPECIFIED:
.X = ± .1
.XX = ± .01
.XXX = ± .005
∠ = ± 1°

NAME: Tristan Linn	DATE: Jan 23
DRAWING NAME: Kinetic Dog Model V1	SCALE: 0.25
<i>Exploded View</i>	UNITS:mm
Independent Project	



UNLESS OTHERWISE
SPECIFIED:
.X = ± .1
.XX = ± .01
.XXX = ± .005
∠ = ± 1°

NAME: Tristan Linn	DATE: Jan 23
DRAWING NAME: Kinetic Dog Model V1	SCALE: 0.5
<i>Top and Isometric Views</i>	UNITS:mm
Independent Project	



UNLESS OTHERWISE
SPECIFIED:
.X = ± .1
.XX = ± .01
.XXX = ± .005
∠ = ± 1°

NAME: Tristan Linn	DATE: Jan 23
DRAWING NAME: Kinetic Dog Model V1	SCALE: 0.5
<i>Front and Side Views</i>	UNITS:mm
Independent Project	